



SUBMITTAL SHEET

MODEL 2600 • 1/2 H.P.

- High-speed 2600 r.p.m. permanent magnet motor produces more power per pound.
- Stainless steel grinding components.
- Fast and easy mount system provides a no hassle installation.
- Power cord included.
- Removable splash guard is included.
- Safe for properly sized septic tanks.
- Sound insulated for quiet operation.
- Longest warranties in the industry demonstrates commitment to quality.

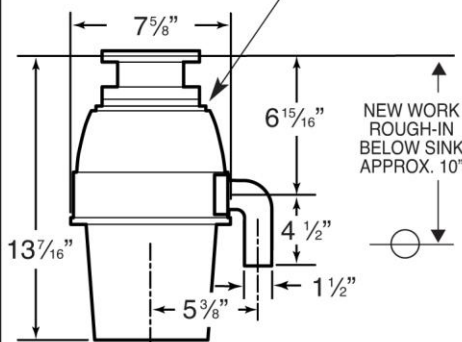


Five Year In-Home Service and LIFETIME Corrosion Warranty (see below).



DIMENSIONS

Knock-out for dishwasher drain connector sized for 7/8" I.D. rubber hose.



Measurements are in inches

Waste King® Warranty

Any Waste King Legend® Model 2600 less than 5 years old that develops a material or mechanical defect will be replaced, in your home free of charge.

LIFETIME WARRANTY AGAINST CORROSION.

Any Waste King Legend® Model 2600 that fails to operate because of corrosion will be repaired or replaced free of charge to the original purchaser. Labor not included.

SPECIFICATIONS

Motor Horsepower	1/2 H.P.
Motor Speed R.P.M.	2600
Voltage	115
Hz	60
Current-Amps	4.5
Motor Type	Permanent Magnet
Sink Flange	Stainless Steel & Celcon
Stopper	Positive Seal
Splash Guard	Removable
Waste Elbow	ABS
Feed	Continuous
Grind Ring	Stainless Steel
Swivel Impellers	Stainless Steel
Turntable	Stainless Steel
Hopper	Glass Filled Nylon
Grinding Chamber	Corrosion Proof Glass Filled Polyester
Bearings	Permanently Lubricated; Sleeve Type
Overload Protector	Manual Reset Type
Sound Shell	Yes-Full
Shipping Weight (lbs.)	9.70
Pallet Quantity	100

Due to continued product improvement, system configurations and specifications may change without notice.



4240 E. La Palma Avenue
Anaheim, California 92807
(800) 854-3229